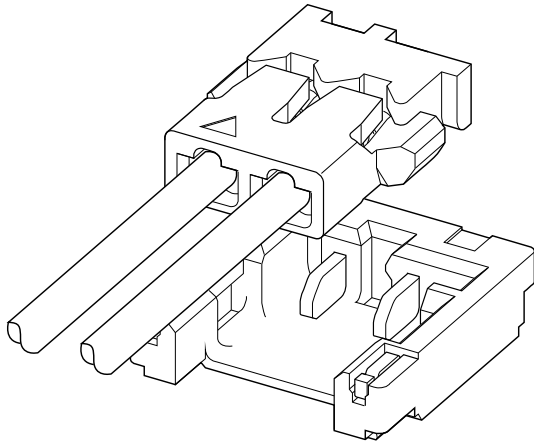
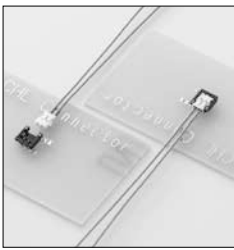




ACHL CONNECTOR

1.2mm pitch/Disconnectable Crimp style connectors



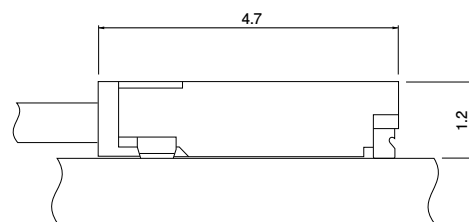
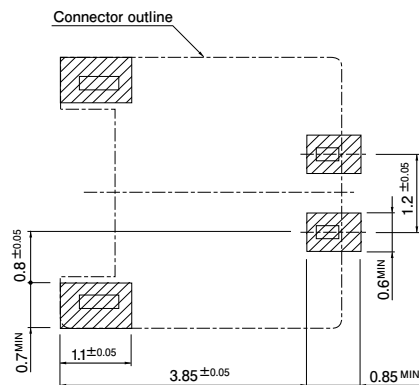
This connector is stacking height 1.2mm and 1.2mm pitch. In addition, in spite of it, rated current is 2A with wire size AWG#28. And about the crimping tool such as the applicator, it is possible to use that of ACH connector.

- Top entry but side feed type
- Connector for power supply
- Corresponding to sucking nozzle of pick and place machine

Specifications

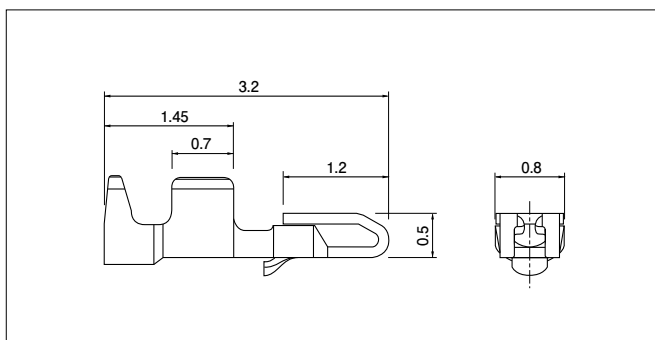
- Current rating: 2.0A AC, DC (AWG #28)
- Voltage rating: 50V AC, DC
- Temperature range: -25°C to +85°C
(including temperature rise in applying electrical current)
- Contact resistance: Initial value/10mΩ max.
After environmental testing/20mΩ max.
- Insulation resistance: 100MΩ min.
- Withstanding voltage: 500V AC/minute
- Applicable wire: Conductor size/AWG #30 to #28
Insulation O.D./0.50 to 0.63mm
- * Compliant with RoHS.
- * Refer to "General Instruction and Notice when using Terminals and Connectors" at the end of this catalog.
- * Contact JST for details.

PC board layout and Assembly layout



- Note: 1. Tolerances are non-cumulative: $\pm 0.05\text{mm}$ for all centers.
2. The dimensions above should serve as a guideline. Contact JST for details.

Contact



Model No.	Applicable wire		Insulation O.D. (mm)	Q'ty / reel
	mm ²	AWG#		
SACHL-003G-P0.2	0.05 to 0.08	30 to 28	0.50 to 0.63	30,000

Material and Finish

Copper alloy, nickel-undercoated, gold-plated

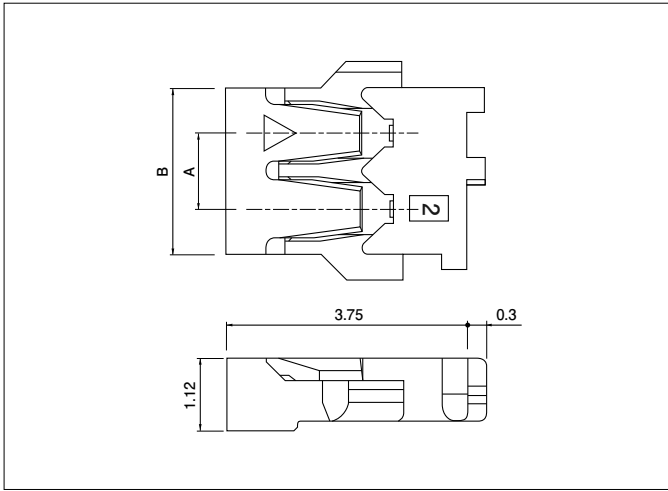
RoHS compliance

Contact	Crimping machine	Applicator		
		Crimp applicator	Dies	Crimp applicator with dies
SACHL-003G-P0.2	AP-K2N	MKS-L-10-3	MK/SACH-003-02	APLMK SACH003-02

Note: Contact JST for fully automatic crimping applicator.

ACHL CONNECTOR

Housing



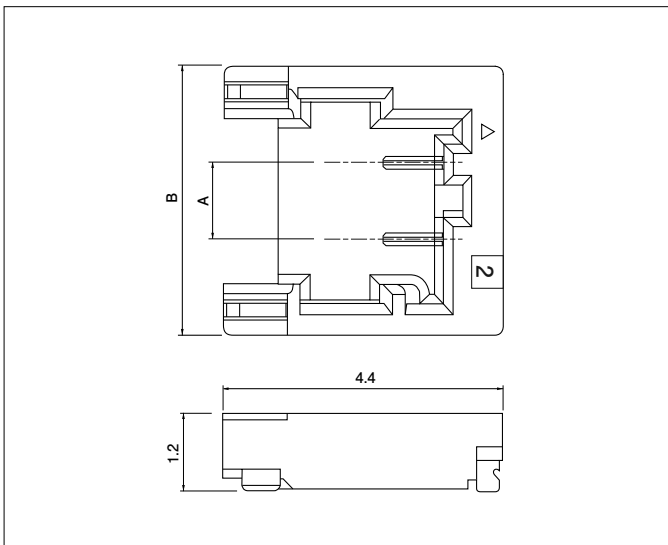
No. of circuits	Model No.	Dimensions (mm)		Q'ty / bag
		A	B	
2	ACHLR-02V-S	1.2	2.6	1,000

Material

PBT, UL94V-0, natural

RoHS compliance

Header



No. of circuits	Model No.	Dimensions (mm)		Q'ty / reel
		A	B	
2	BM02B-ACHLKS-GAN-ETF	1.2	4.2	5,000

Material and Finish

Contact: Copper alloy, nickel-undercoated, gold-plated (nickel-stripe)

Housing: Heat resisting resin, UL94V-0, black

Reinforcement: Copper alloy, copper-undercoated, tin-plated (reflow treatment)

RoHS compliance This product displays (LF)(SN) on a label.

Model number allocation

Contact

S ACHL - 003 G - P 0.2

Form: S··Strip form

Series name

Applicable wire range: 003··AWG #30 to AWG #28

Surface finish: G··Nickel-undercoated gold-plated

Material: Copper alloy

Terminal size

Housing

ACHL R - 02 V - S

Series name

Part name: Receptacle

No. of circuits: 2

Flammability: V··UL94V-0

Color: S··Natural

Header

BM 02 B - ACHLKS - GAN - ETF

Shape of assembled product:
BM··SMT top entry type

No. of circuits: 2

Part name: Header

Series name

Color: K··Black

Indication of clinch: S··Straight pin

Surface finish: GAN··Nickel-undercoated gold-plated (nickel stripe)

Packaging style: ETF··Embossed-taping