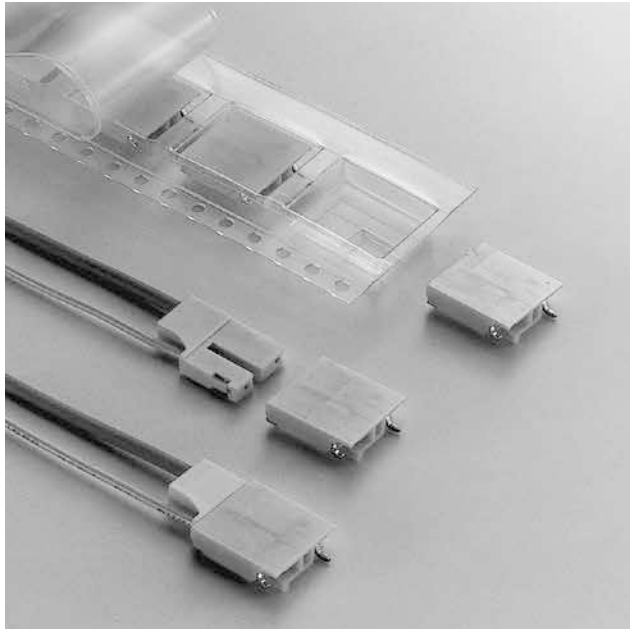


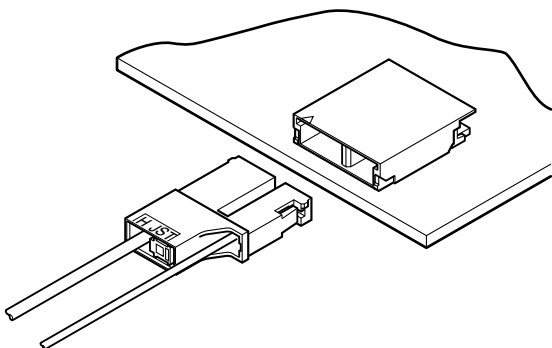
BHT CONNECTOR



Disconnectable Crimp style connectors



Low profile connectors with high withstanding voltage, designed for connecting liquid crystal display backlight lamps to their starters.



Features

• High withstanding voltage

Conforming to IEC664-1 standards, the BHT connector is designed to have a enough electrical creep distances at the high-voltage side. Thus, compared to the conventional power supply connector for liquid crystal display backlight lamps, higher voltage is guaranteed.

• Low profile

Only 2.8mm height.

• Housing construction

Housing is of 2-piece construction, to prevent the contact for the higher voltage side from being exposed, while the lower voltage side is designed to be shorter for easy insertion of the contact even with thin wires.

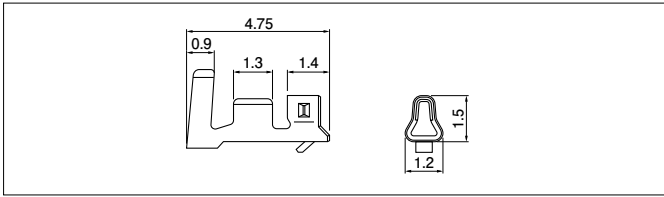
Specifications

- Current rating: 1.0A AC, DC (AWG #24)
 - Voltage rating: 1,500V AC, DC
 - Temperature range: -25°C to +85°C
(including temperature rise in applying electrical current)
 - Contact resistance: Initial value/10mΩ max.
After environmental testing/20mΩ max.
 - Insulation resistance: 1,000MΩ min.
 - Withstanding voltage: 4,000V AC/minute
 - Applicable wire: AWG #28 to #24
Insulation O.D./0.9 to 1.7mm
- * Compliant with RoHS.
* Refer to "General Instruction and Notice when using Terminals and Connectors" at the end of this catalog.
* Contact JST for details.

Standards

- Recognized E60389
- Certified LR20812

Contact



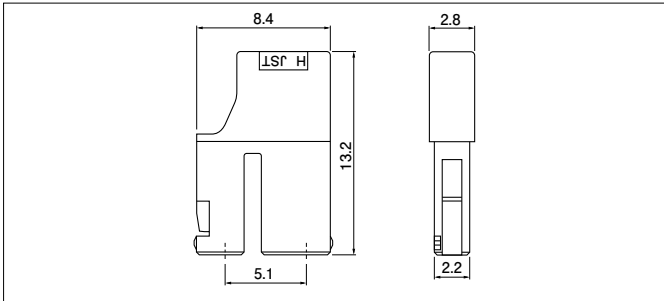
Model No.	Applicable wire			Q'ty / reel
	mm ²	AWG #	Insulation O.D. (mm)	
SBHT-002T-P0.5	0.08 to 0.22	28 to 24	0.9 to 1.7	10,000

Material and Finish

Copper alloy, tin-plated (reflow treatment)

RoHS compliance

Housing



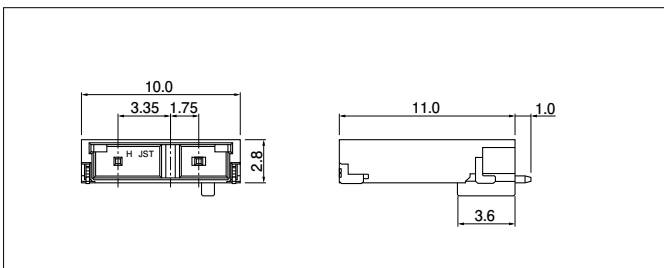
No. of circuits	Model No.	Q'ty / box
2	BHTR-02VS	1,000

Material

PBT, UL94V-0, natural (white)

RoHS compliance

Header



No. of circuits	Model No.	Q'ty / reel
2	SM02B-BHTS-B-TB	1,250

Material and Finish

Post: Copper alloy, copper-undercoated, tin-plated (reflow treatment)

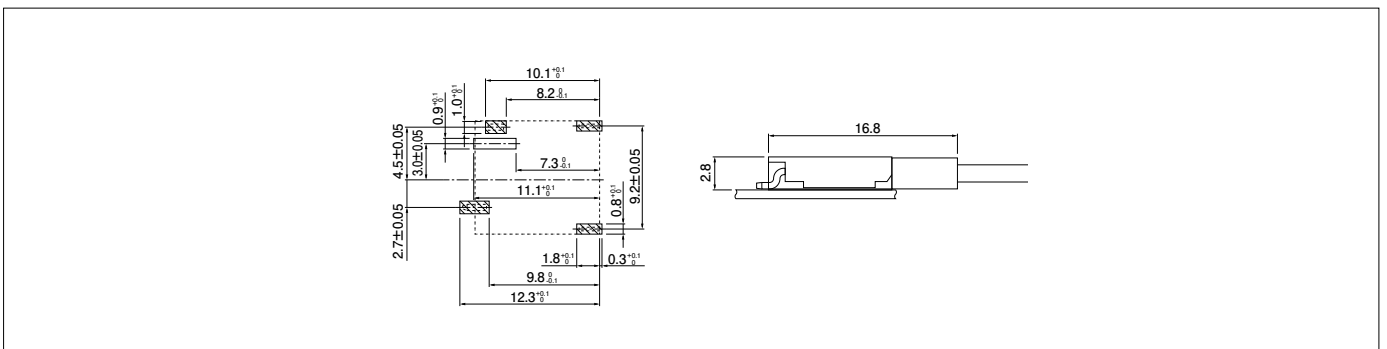
Wafer : PA 6T, UL94V-0, natural (ivory)

Solder tab: Copper alloy, copper-undercoated, tin-plated (reflow treatment)

RoHS compliance This product displays (LF)(SN) on a label.

Note: The products listed above are supplied on embossed tape.

PC board layout (viewed from component side) and Assembly layout



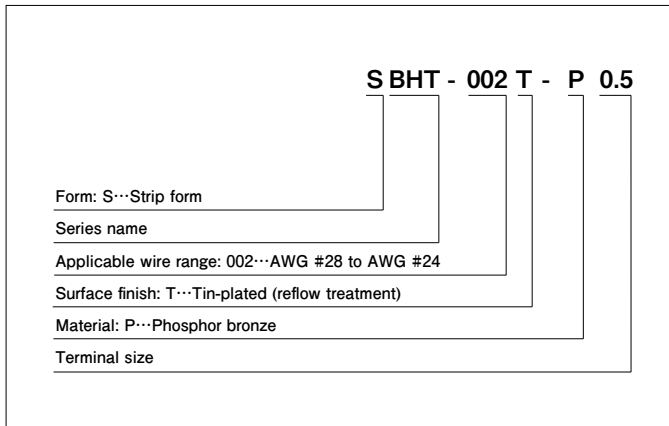
Note:

1. Tolerances are non-cumulative: $\pm 0.05\text{mm}$ for all centers.
2. The dimensions above should serve as a guideline. Contact JST for details.

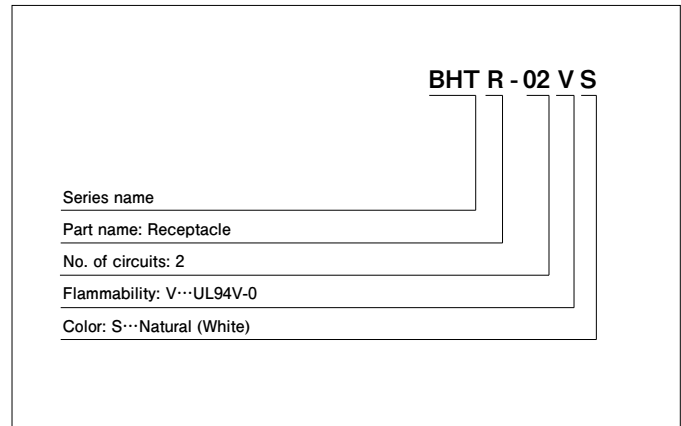
BHT CONNECTOR

Model number allocation

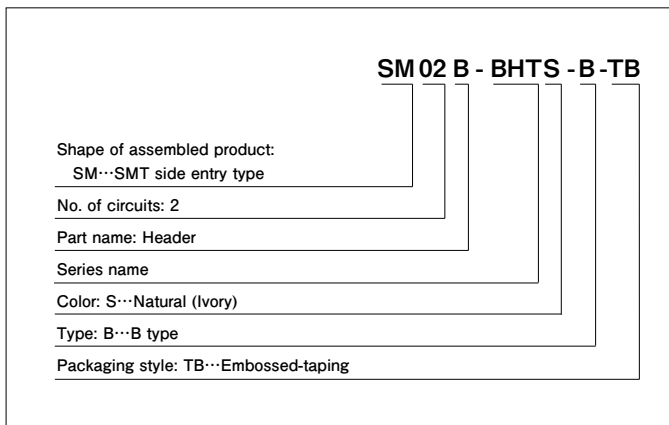
Contact



Housing



Header



Crimping machine, Applicator

Contact	Crimping machine	Crimp applicator	Dies	Crimp applicator with dies
SBHT-002T-P0.5	AP-K2N	MKS-L	MK/SBHT-002-05	APLMK SBHT002-05
		—	—	—

Note: Contact JST for fully automatic crimping applicator.