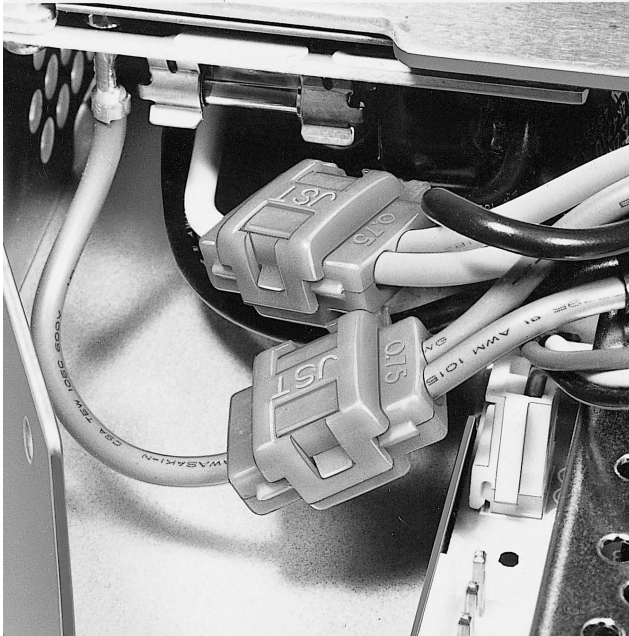
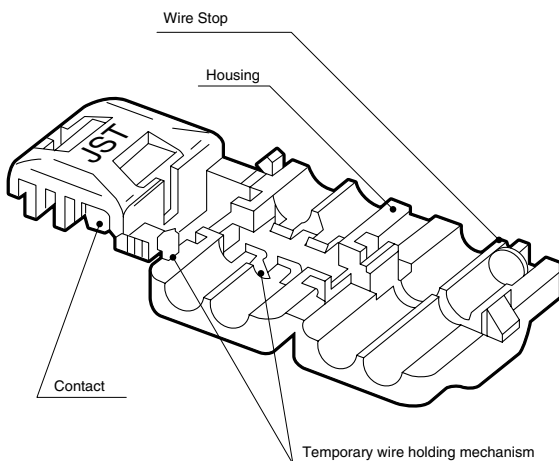


# CL CONNECTOR

Insulation displacement Wire-to-wire connectors



**The CL is a low-voltage, insulation displacement connector that can be applied using simple tools.**



## Features

### • A simple operation completes this insulation displacement splice

Wire conductors can be securely connected to the internal fork-shaped contacts of this connector by simply pressing the connector housing halves together with pliers. It is not necessary to strip the wires or to use special tools.

### • Superior insulation performance

The connector housing provides a highly effective insulation, and no further insulating operations are necessary.

### • Temporary wire holding mechanism

A temporary wire holding mechanism prevents the wire from moving or being improperly connected during wire connection.

## Specifications

- Current rating: 7A AC, DC max. (CL-2218T, CL-2218S)  
15A AC, DC max. (CL-1814T, CL-1814S)
- Voltage rating: 300V AC, DC
- Maximum temperature: 105°C (including temperature rise in applying electrical current)
- Applicable wire: UL1015, VSF/AWG #22 to #18  
0.3 to 0.75mm<sup>2</sup>  
(CL-2218T, CL-2218S)  
UL1015, VSF/AWG #18 to #14  
0.75 to 2.0mm<sup>2</sup>  
(CL-1814T, CL-1814S)

\* Compliant with RoHS.

\* Refer to "General Instruction and Notice when using Terminals and Connectors" at the end of this catalog.

\* Contact JST for details.

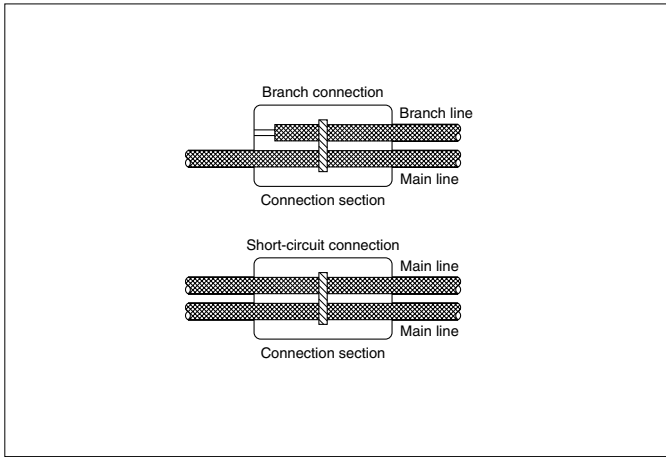
## Standards

Listed E42024

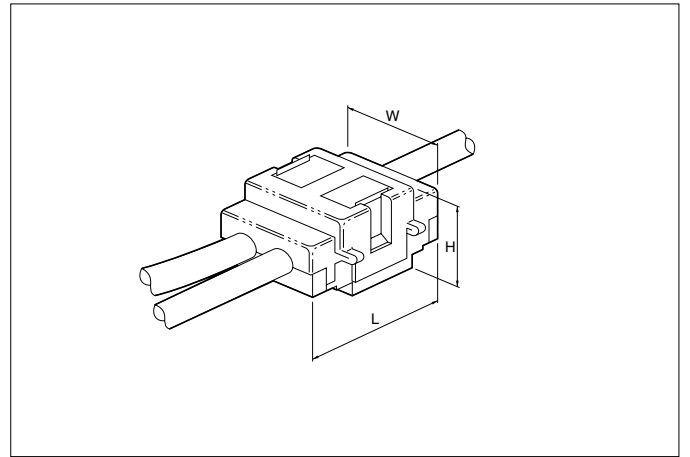
Certified LR20812

# CL CONNECTOR

## Connection method



## Connector dimensions



Con- nection method	Model No.	Applicable wire			Dimension (mm)			Material and Finish		Color	Q'ty / bag
		mm <sup>2</sup>	AWG #	Insulation O.D. (mm)	W	H	L	Contact	Housing		
Branch	<b>CL-2218T</b>	0.3 to 0.75	22 to 18	2.2 to 3.2	13.8	11.0	20.0	Brass, tin-plated	PA 6, UL94V-2	Red	500
	<b>CL-1814T</b>	0.75 to 2.0	18 to 14	2.4 to 3.9	14.4					Blue	
Short- circuit	<b>CL-2218S</b>	0.3 to 0.75	22 to 18	2.2 to 3.2	13.8					Red	
	<b>CL-1814S</b>	0.75 to 2.0	18 to 14	2.4 to 3.9	14.4					Blue	

### RoHS compliance

Note: Contact JST for details if you require special wires, for example, the wires insulated with the material other than soft vinyl, or with tens of conductors.