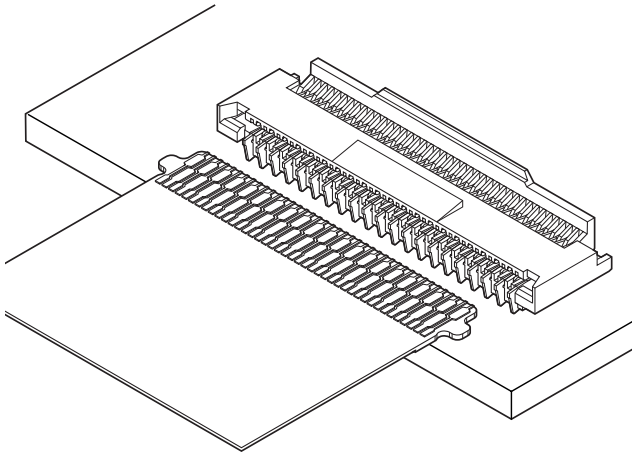


FGEM CONNECTOR



0.25mm pitch/Connectors for FPC



This FGEM connector is the first mid-flip type 0.25mm pitch connector for FPC in the connector industry. Internal structure of connector is the double-sided contact to which structure of back-flip type is succeeded, and the space saving which is advantage of front-flip type connector is enabled because the mid-flip structure by which the actuator tilts forward is adopted. Moreover, by adding the tilt type, PC insertion workability improved and located parts to near the connector, and high-density mounting was enabled.

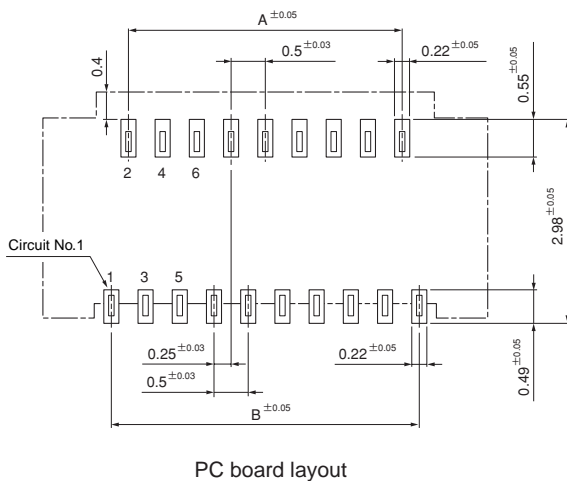
- FPC with protrusion
- Double-sided contact
- Tilt type

Specifications

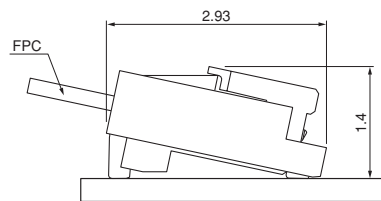
- Current rating: 0.2 A AC, DC
- Voltage rating: 50 V AC, DC
- Temperature range: -25°C to +85°C
(including temperature rise in applying electrical current)
- Contact resistance: Initial value/ 100 mΩ max.
After environmental tests/ 100 mΩ max.
(variation from initial value)
- Insulation resistance: 50 MΩ min.
- Withstanding voltage: 200 VAC/minute
- Applicable FPC: Conductor pitch/ 0.25 mm
Conductor width/ 0.27 mm
Mating part thickness/ 0.2 ± 0.03 mm

- * Refer to "General Instruction and Notice when using Terminals and Connectors" at the end of this catalog.
- * Contact JST for details.
- * Compliant with RoHS.

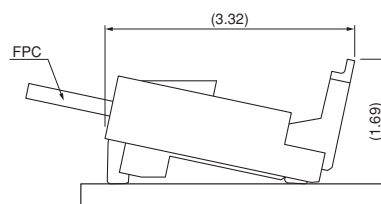
PC board layout and Assembly layout



PC board layout



Actuator close

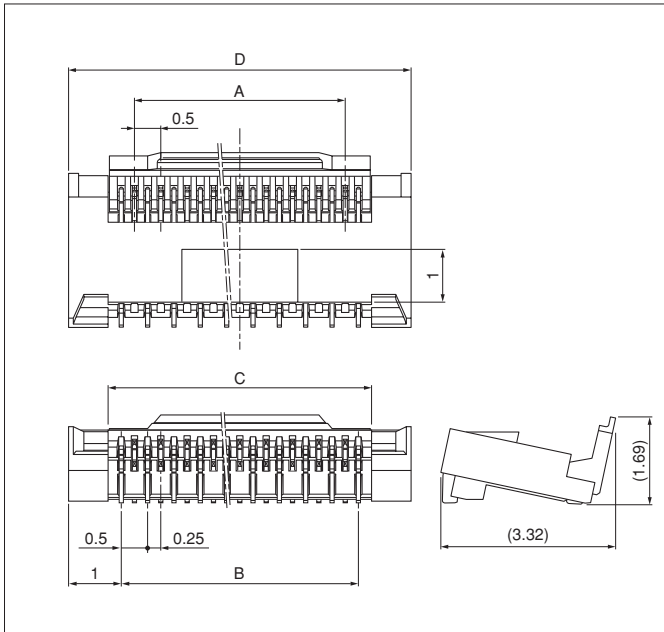


Actuator open

Note: 1. The above figure is the figure viewed from the connector mounting side.
2. Tolerances are non-cumulative: ±0.05 mm for all centers.
The dimensions above should serve as a guideline. Contact JST for details.

FGEM CONNECTOR

Connector



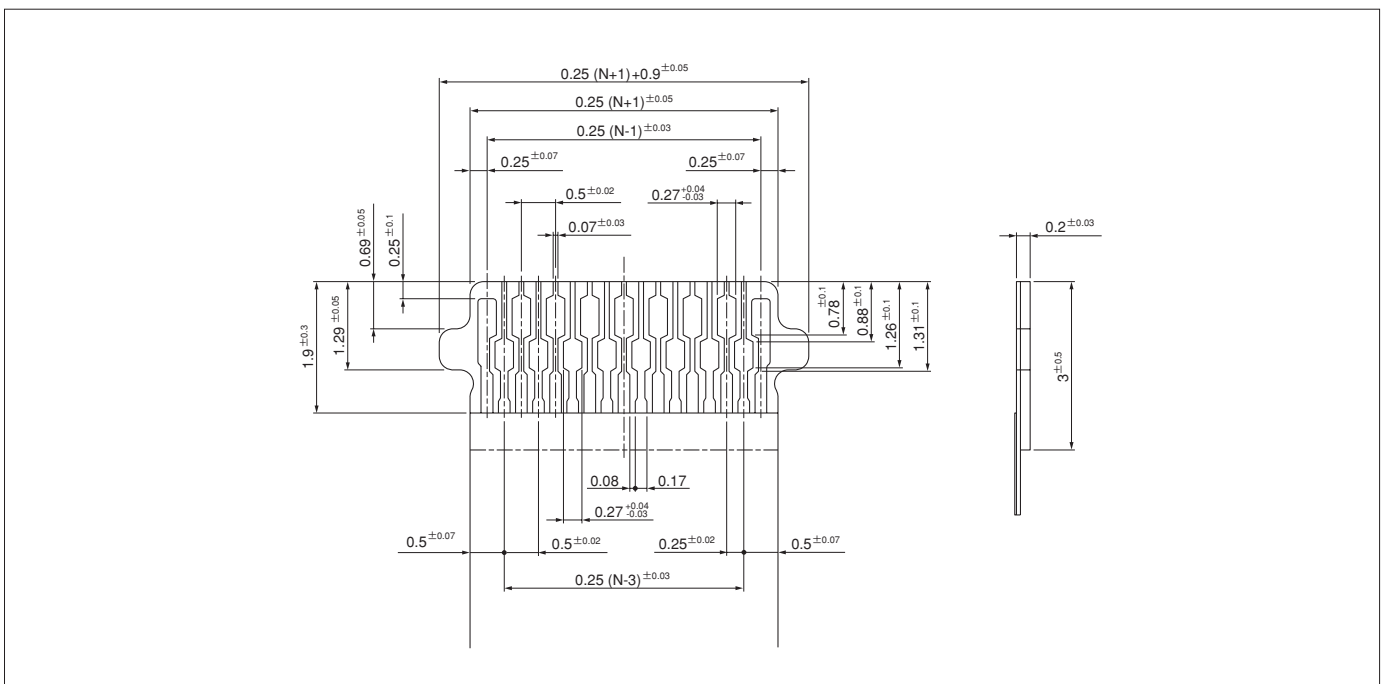
Circuits	Model No.	Dimensions (mm)				Q'ty/ reel
		A	B	C	D	
13	13FGEM-SM1-GAN-T-TF	2.5	3.0	3.5	5.0	5,000
17	17FGEM-SM1-GAN-T-TF	3.5	4.0	4.5	6.0	5,000
19	19FGEM-SM1-GAN-T-TF	4.0	4.5	5.0	6.5	5,000
23	23FGEM-SM1-GAN-T-TF	5.0	5.5	6.0	7.5	5,000
27	27FGEM-SM1-GAN-T-TF	6.0	6.5	7.0	8.5	5,000
35	35FGEM-SM1-GAN-T-TF	8.0	8.5	9.0	10.5	5,000
39	39FGEM-SM1-GAN-T-TF	9.0	9.5	10.0	11.5	5,000
41	41FGEM-SM1-GAN-T-TF	9.5	10.0	10.5	12.0	5,000
45	45FGEM-SM1-GAN-T-TF	10.5	11.0	11.5	13.0	5,000
51	51FGEM-SM1-GAN-T-TF	12.0	12.5	13.0	14.5	5,000

Material and Finish

Contact: Copper alloy, nickel-undercoated, gold-plated (nickel-stripe)
Housing: Heat resisting resin, UL94V-0, black
Actuator: Heat resisting resin, UL94HB, brown

RoHS compliance This product displays (HF) on a label.
Note: These products listed above are supplied on embossed-tape.

Lead section dimensions of FPC



Note: N --- Number of circuits