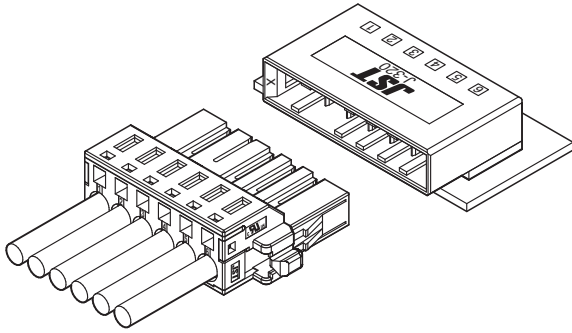


J-FAT CONNECTOR

3.5/5/5.08/6.35/8/15 mm pitch/Connectors for PC board (Spring type terminal block)



Spring type connection structure makes a wire connection operation easy by using the open tool.

Specifications

Current unit: A

Series name	No. of circuits	Current rating (AC/DC)								Voltage rating (AC/DC)	
		Wire size (AWG)									
		#8	#10	#12	#14	#16	#18	#20	#22		#24
Mini J-FAT	2	-	-	-	-	-	-	7	6	5	250 V
J-FAT-S-H	5	-	-	-	13.5	11.5	9.5	-	-	-	
J-FAT-S-A	9	-	-	-	12	11	9	-	-	-	300 V
	3	-	-	-	13	12.25	10.5	-	-	-	
	4	-	-	-	12	11.25	10	-	-	-	
5	-	-	-	11.25	10.5	9.5	-	-	-		
6	-	-	-	10.5	9.75	9	-	-	-		
J-FAT-S-F	6	-	-	-	9.75	9.75	9	-	-	-	
J-FAT-S-G	4	-	-	-	11.25	11.25	10	-	-	-	
J-FAT-S-4300	3	-	-	20	17	15	-	-	-	-	600 V
J-FAT-S-XL	3	-	23	21	18	15	-	-	-	-	
	6	-	21	18	16	14	-	-	-	-	
	7	-	21	18	16	13	-	-	-	-	
J-FAT-S-P	3	43	30	21	18	15	-	-	-	-	

Note : The above specifications may differ from Safety Standard.

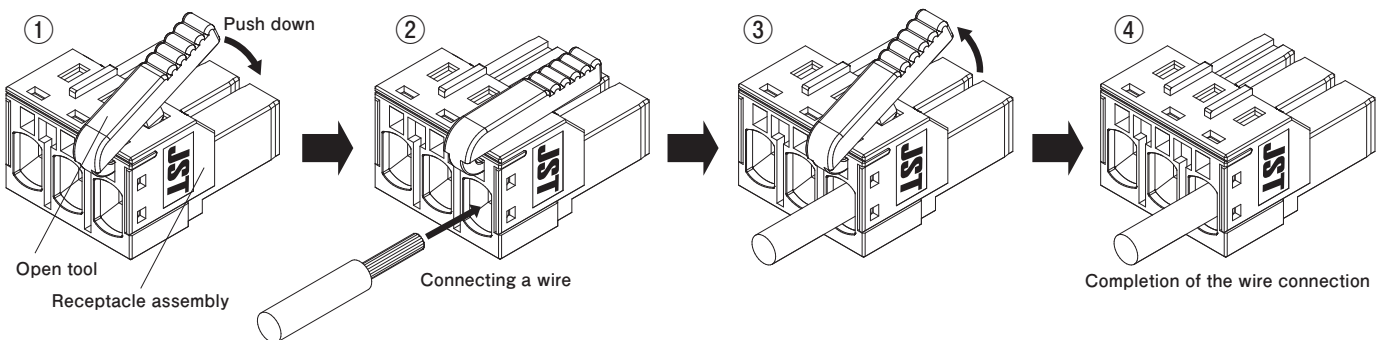
* In using the products, refer to "Handling Precaution for Terminals and Connectors" described on our website (Technical documents of Product information page).

* RoHS2 compliance

* Dimensional unit: mm

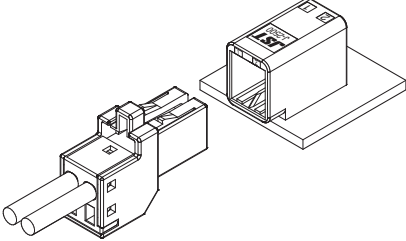
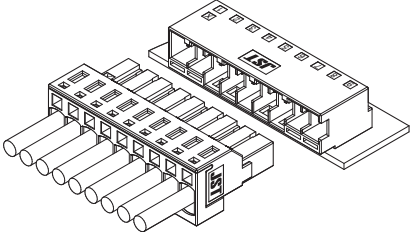
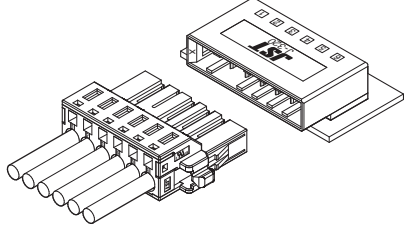
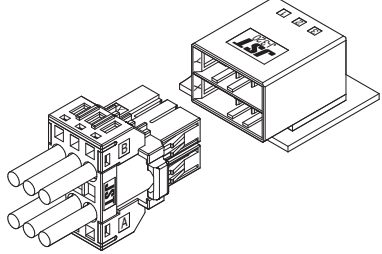
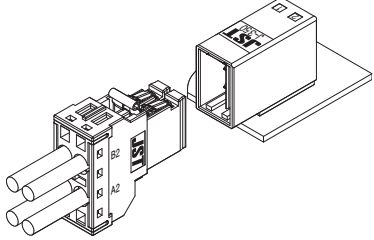
* Contact JST for details.

How to connect a wire

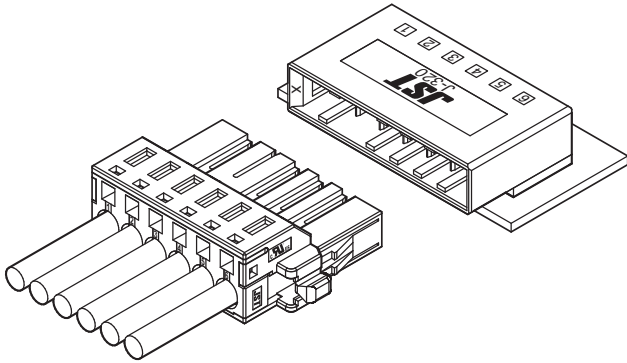


J-FAT CONNECTOR

J-FAT connector products line-up

Rated voltage	Pitch between circuits	Series name	Applicable header	No. of circuits	Applicable wire
250 V	3.5 mm	Mini J-FAT	J2500 Header		AWG#24 to #20
				2	
300 V	5 mm	J-FAT-S-H5.0	J-FAT-S-H5.0 Header		AWG#18 to #14
		J-FAT-S-A	J320S/J320M Header		
	5.08 mm	J-FAT-S-F	J320M Header		
		J-FAT-S-G	J350D Header		
				5, 9	
				3, 4, 5, 6	
				6	
				4	

J-FAT CONNECTOR/S-A SERIES



Standards

 : Recognized E 239668

*Contact JST for details about the above Safety standard.

Specifications

• Current rating: AC/DC

Current unit: A

No. of circuits	Wire size (AWG)		
	# 14	# 16	# 18
3	13	12.25	10.5
4	12	11.25	10
5	11.25	10.5	9.5
6	10.5	9.75	9

• Voltage rating: 300 VAC/DC

• Temperature range: -55°C to +105°C

(including temperature rise in applying electrical current)

• Contact resistance: Initial value/20 mΩ max.

After environmental tests/40 mΩ max.

• Insulation resistance: Initial value/1,000 MΩ min.

After environmental tests/100 MΩ min.

• Withstanding voltage: 2,200 V AC/minute

• Applicable wire: AWG#18 to #14

• Applicable PC board thickness: 1.6 to 2.4 mm

Note: The above specifications may differ from Safety Standard.

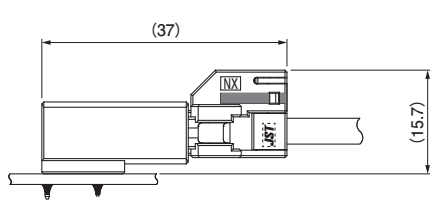
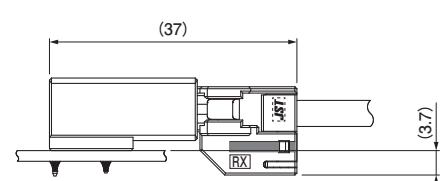
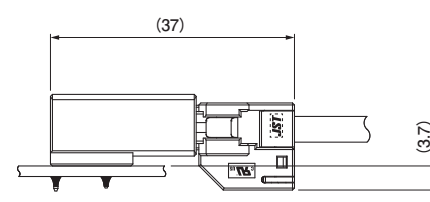
* In using the products, refer to "Handling Precaution for Terminals and Connectors" described on our website (Technical documents of Product information page).

* RoHS2 compliance

* Dimensional unit: mm

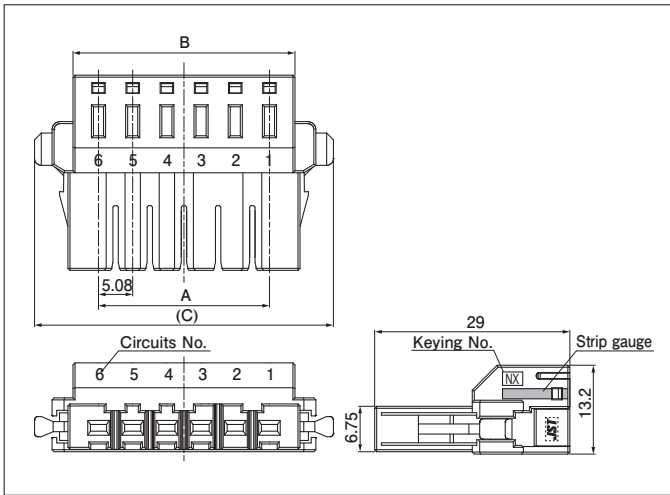
* Contact JST for details.

Assembly layout

		When using J-FAT-S-A	
		Normal type	Reverse type
Wire-to-board	J320S Side entry type (Normal type)		
	J320S Side entry type (Reverse type)		

J-FAT CONNECTOR/S-A SERIES

Receptacle assembly (Normal type)



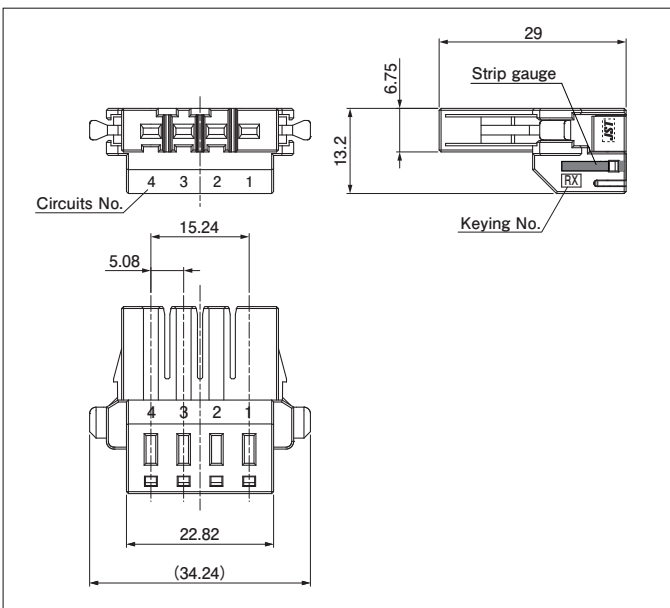
No. of circuits	Keying	Model No.	Dimensions (mm)			Q'ty/box
			A	B	C	
3	X	03JFAT-SAXGGKK-A	10.16	17.74	29.16	240
	Y	03JFAT-SAYGGKK-A	10.16	17.74	29.16	240
5	X	05JFAT-SAXGGKK-A	20.32	27.90	39.32	192
	Y	05JFAT-SAYGGKK-A	20.32	27.90	39.32	192
6	X	06JFAT-SAXGGKK-A	25.4	32.98	44.4	168
	Y	06JFAT-SAYGGKK-A	25.4	32.98	44.4	168

Material and Finish

Tab contact: Copper alloy, nickel-undercoated, selective gold-plated
Housing: Glass-filled PBT, UL94V-0, black
Cover: Glass-filled PBT, UL94V-0, black
Spring: Stainless

RoHS2 compliance

Receptacle assembly (Reverse type)



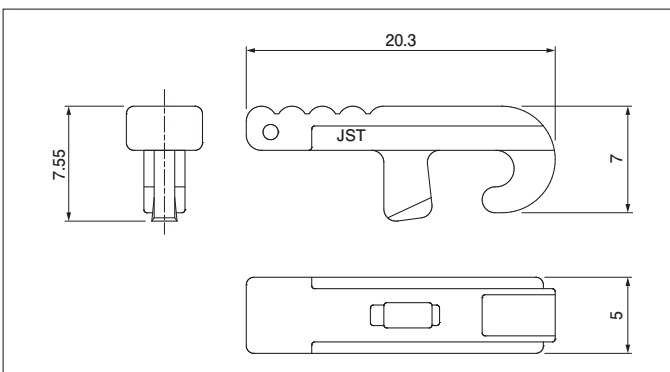
No. of circuits	Keying	Model No.	Q'ty/box
4	X	04JFAT-SBXGGKS-A	216
	Y	04JFAT-SBYGGKS-A	216

Material and Finish

Tab contact: Copper alloy, nickel-undercoated, selective gold-plated
Housing: Glass-filled PBT, UL94V-0, black
Cover: Glass-filled PBT, UL94V-0, white
Spring: Stainless

RoHS2 compliance

Open tool



Model No.	Q'ty/bag
J-FAT-OT (N)	1,000

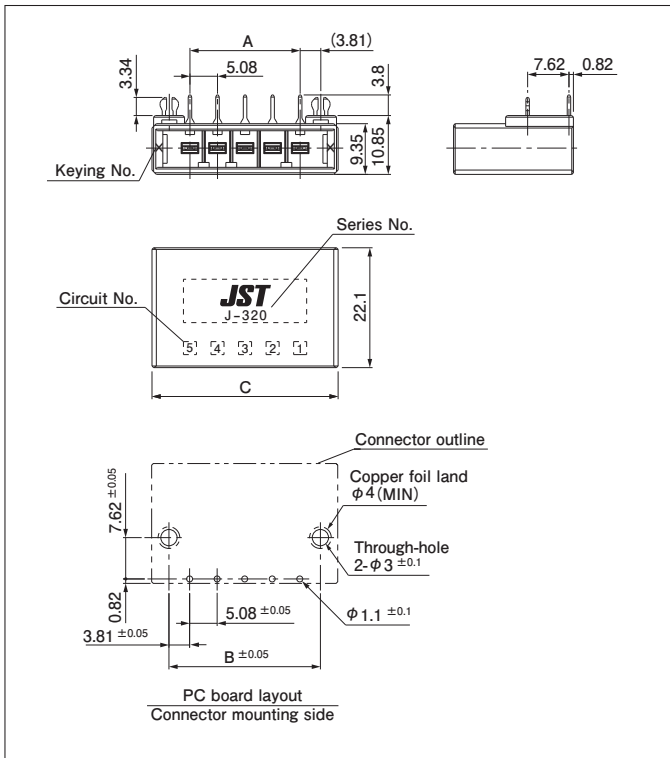
Material and Finish

Glass-filled PA

RoHS2 compliance

J-FAT CONNECTOR/S-A SERIES

Header (Side entry type)



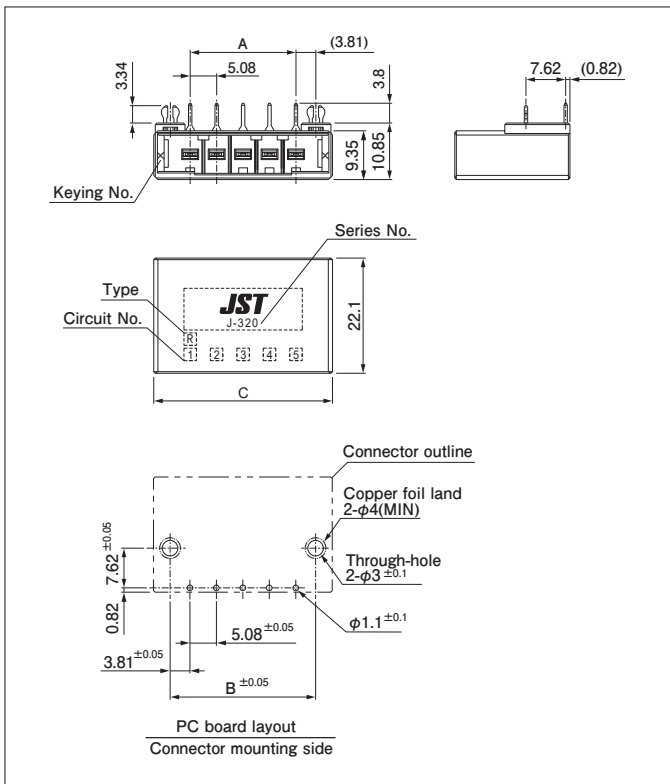
No. of circuits	Keying	Model No.	Dimensions (mm)			Q'ty/box
			A	B	C	
3	X	S03B-F32SK-GGXR	10.16	17.78	24.16	150
	Y	S03B-F32SK-GGYR	10.16	17.78	24.16	150
4	X	S04B-F32SK-GGXR	15.24	22.86	29.24	120
	Y	S04B-F32SK-GGYR	15.24	22.86	29.24	120
5	X	S05B-F32SK-GGXR	20.32	27.94	34.32	105
	Y	S05B-F32SK-GGYR	20.32	27.94	34.32	105
6	X	S06B-F32SK-GGXR	25.4	33.02	39.4	90
	Y	S06B-F32SK-GGYR	25.4	33.02	39.4	90

Material and Finish

Tab contact: Copper alloy, nickel-undercoated, selective gold-plated
Housing: Glass-filled PBT, UL94V-0, black
Reinforcement: Copper alloy, nickel-undercoated, selective gold-plated

RoHS2 compliance This product displays (LF)(AU) on a label.
Note: Contact JST for the headers supplied in magazine stick.

Header (Side entry type Reverse type)



No. of circuits	Keying	Model No.	Dimensions (mm)			Q'ty/box
			A	B	C	
5	X	SR05B-F32SK-GGXR	20.32	27.94	34.32	105
6	X	SR06B-F32SK-GGXR	25.4	33.02	39.4	90

Material and Finish

Tab contact: Copper alloy, nickel-undercoated, selective gold-plated
Housing: Glass-filled PBT, UL94V-0, black
Reinforcement: Copper alloy, nickel-undercoated, selective gold-plated

RoHS2 compliance This product displays (LF)(AU) on a label.
Note: Contact JST for the headers supplied in magazine stick.