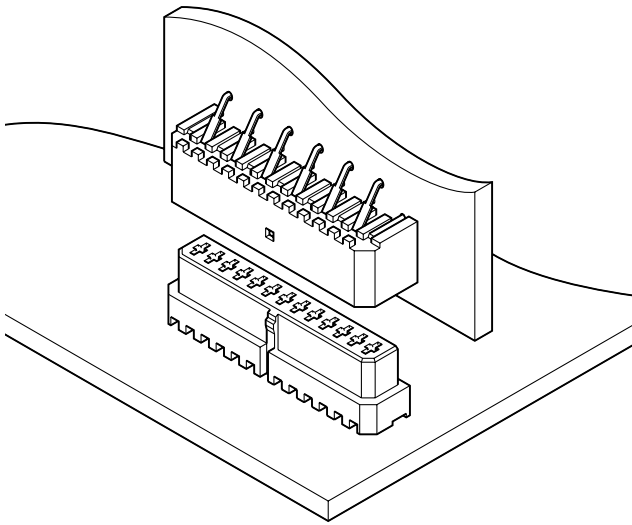


# JE CONNECTOR

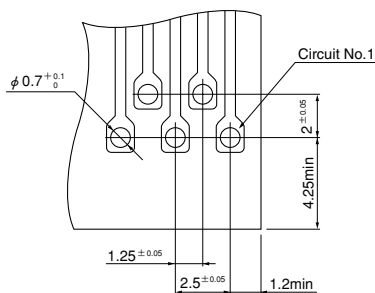
1.25mm pitch/Board-to-board connectors



**The JE connector is a compact, board-to-board connector only 6.8mm high and 3.6mm wide. Its mating part has a 1.25mm pitch, single row construction. High contact pressure dual beam fork contacts are combined with a housing lock mechanism to ensure a reliable connection.**

- A compact design to meet today's needs
- Secure locking and reliable connection
- Box shaped housing
- Easy mounting and no flux problems

## Plug

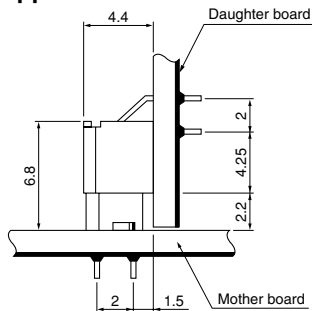


Note: 1. The above figure is the figure viewed from the connector soldering side.

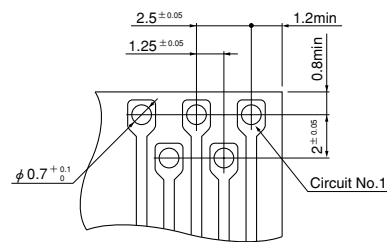
2. Tolerances are non-cumulative:  $\pm 0.05 \text{ mm}$  for all centers.

3. Hole dimensions differ according to the type of PC board and piercing method. The dimensions above should serve as a guideline. Contact JST for details.

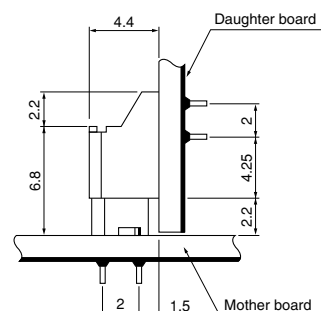
## Without stopper



## Receptacle



## With stopper



Note: The daughter board should be secured. For details of the securing method, contact JST.

## Specifications

- Current rating: 1.0 A AC, DC
- Voltage rating: 50 V AC, DC
- Temperature range:  $-25^\circ\text{C}$  to  $+85^\circ\text{C}$   
(including temperature rise in applying electrical current)
- Contact resistance: Initial value / 20 m $\Omega$  max.  
After environmental tests / 40 m $\Omega$  max.
- Insulation resistance: 500 M $\Omega$  min.
- Withstanding voltage: 500 VAC/minute
- Applicable PC board thickness: 1.6 mm
- \* Refer to "General Instruction and Notice when using Terminals and Connectors" at the end of this catalog.
- \* Contact JST for details.
- \* Compliant with RoHS.

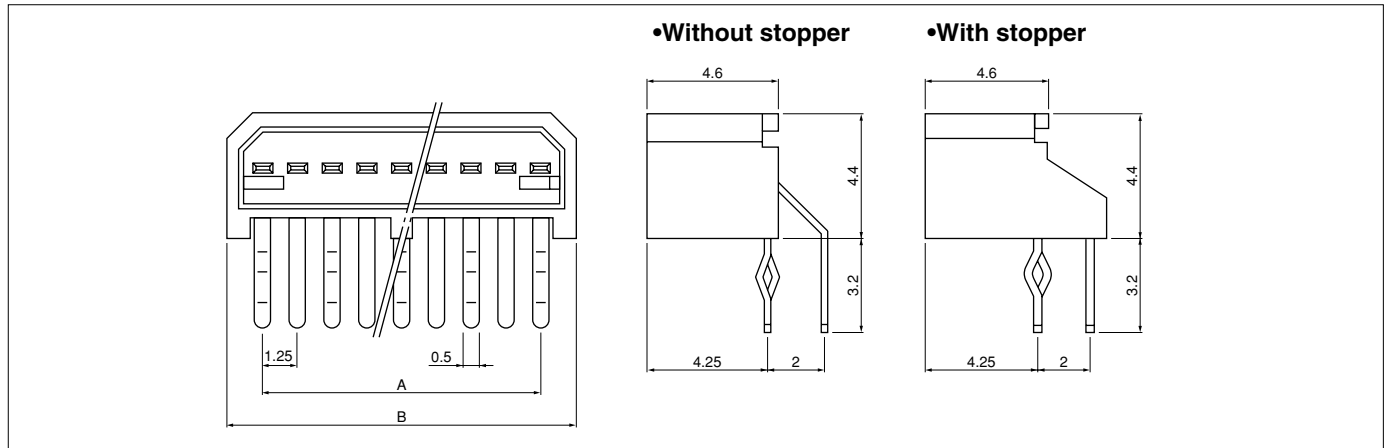
## Standards

Recognized E60389

Certified LR20812

# JE CONNECTOR

## Plug



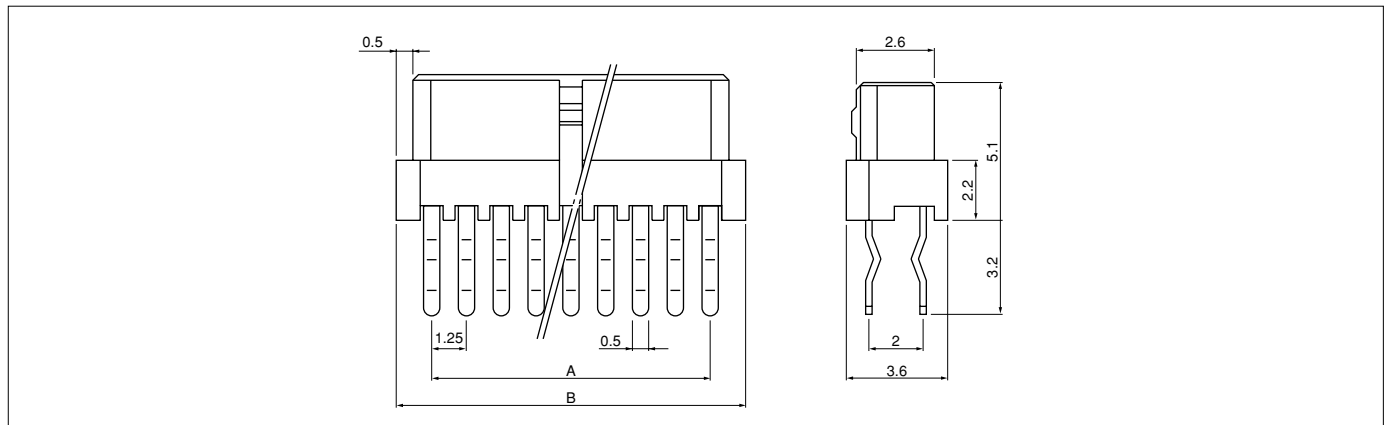
Circuits	Model No.		Dimensions (mm)		Qty / box
	Without stopper	With stopper	A	B	
5	<b>05PS-JE</b>	<b>05PSL-JE</b>	5.0	7.4	1,400
7	—	<b>07PSL-JE</b>	7.5	9.9	1,050
9	<b>09PS-JE</b>	<b>09PSL-JE</b>	10.0	12.4	800
11	<b>11PS-JE</b>	<b>11PSL-JE</b>	12.5	14.9	700
13	<b>13PS-JE</b>	<b>13PSL-JE</b>	15.0	17.4	600
15	<b>15PS-JE</b>	<b>15PSL-JE</b>	17.5	19.9	500
17	<b>17PS-JE</b>	<b>17PSL-JE</b>	20.0	22.4	450
19	<b>19PS-JE</b>	<b>19PSL-JE</b>	22.5	24.9	400

### Material and Finish

Contact: Brass, tin-plated (reflow treatment)  
Housing: Glass-filled PA 66, UL94V-0

**RoHS compliance**

## Receptacle



Circuits	Model No.	Dimensions (mm)		Qty / box
		A	B	
5	<b>05R-JE</b>	5.0	7.4	1,000
7	<b>07R-JE</b>	7.5	9.9	1,000
9	<b>09R-JE</b>	10.0	12.4	1,700
11	<b>11R-JE</b>	12.5	14.9	1,400
13	<b>13R-JE</b>	15.0	17.4	1,200
15	<b>15R-JE</b>	17.5	19.9	1,000
17	<b>17R-JE</b>	20.0	22.4	900
19	<b>19R-JE</b>	22.5	24.9	800

### Material and Finish

Contact: Phosphor bronze, copper-undercoated, tin-plated (reflow treatment)  
Housing: Glass-filled PA 66, UL94V-0

**RoHS compliance** This product displays (LF)(SN) on a label.