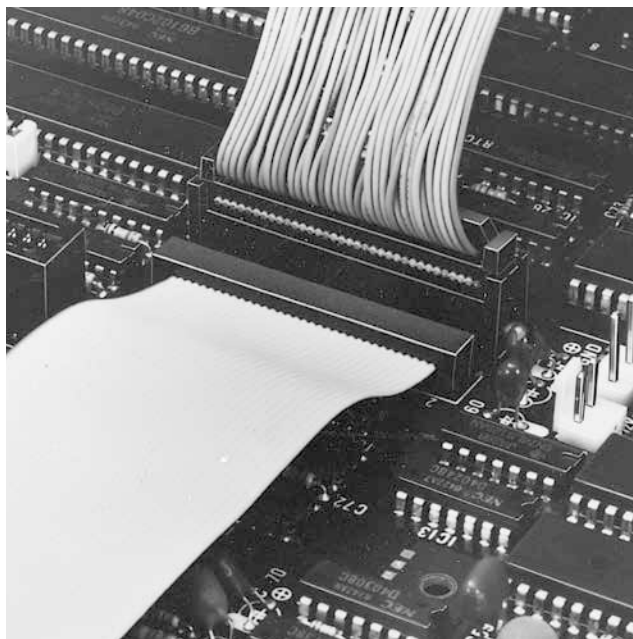
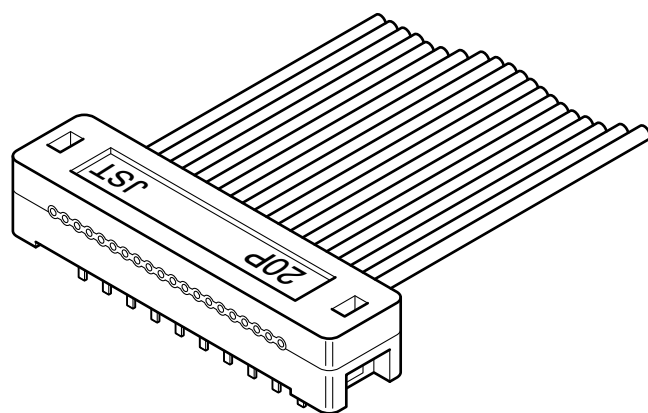


RC CONNECTOR

Board-in Insulation displacement connectors for 1.27 mm pitch ribbon cables



The RC connector is a board-in type insulation displacement connector for 1.27 mm pitch ribbon cables.



Features

- **Low profile with high-density mounting**
The RC board-in connector has a low profile with a mounting height of 6.8 mm and a width of 6.54 mm. It allows 2.54 mm pitch grid wiring for high density.
- **Two kinds of plating**
The contact comes in gold and tin-plated versions.

Specifications

- Current rating: 1.0 A AC/DC
- Voltage rating: 300 V AC/DC
- Temperature range: -55°C to +105°C
(including temperature rise in applying electrical current)
- Insulation resistance: 5,000 MΩ min.
- Withstanding voltage: 500 VAC/ 5 seconds
- Applicable wire: AWG #28
1.27 mm pitch Flat cable
- Applicable PC board thickness: 1.6 mm

* In using the products, refer to "Handling Precaution for Terminal and Connector" described on our website (Technical documents of Product information page).

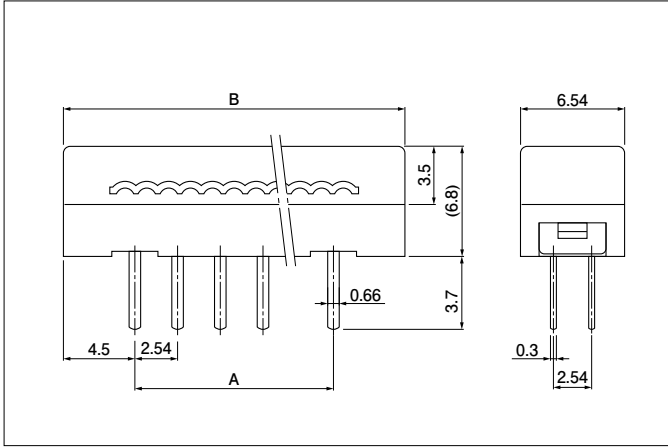
- * RoHS2 compliance
- * Dimensional unit: mm
- * Contact JST for details.

Standards

- Ⓜ Recognized E60389
- Ⓢ Certified LR20812

RC CONNECTOR

Connector



No. of circuits	Model No.		Dimensions (mm)		Q'ty/box
	Gold-plated version	Tin-plated version	A	B	
10	RC-D10	RC-D10-290	10.16	19.16	400
14	RC-D14	—	15.24	24.24	200
20	RC-D20	RC-D20-290	22.86	31.86	200
26	—	RC-D26-290	30.48	39.48	200
34	RC-D34	RC-D34-290	40.64	49.64	100
40	RC-D40	—	48.26	57.26	100
50	RC-D50	RC-D50-290	60.96	69.96	100

Material and Finish

Housing: Glass-filled PBT, UL94V-0, black

Contact: Phosphor bronze

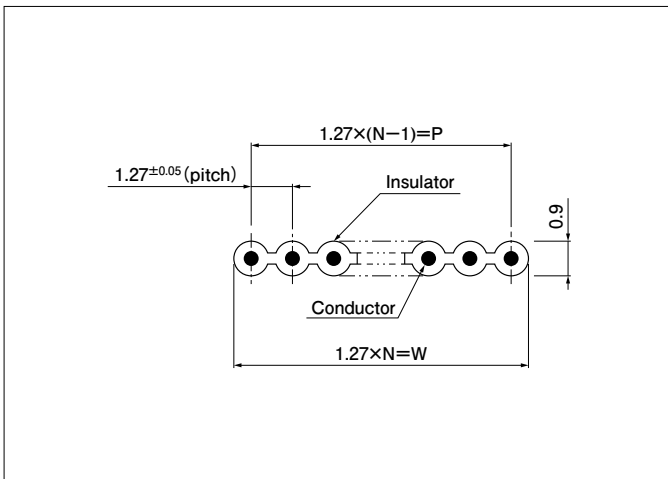
• Nickel-undercoated, Mating part; gold-plated

Solder tail; tin-plated (reflow treatment)

• Copper-undercoated, tin-plated (reflow treatment)

RoHS2 compliance This product displays (LF)(SN) on a label.

Applicable cable



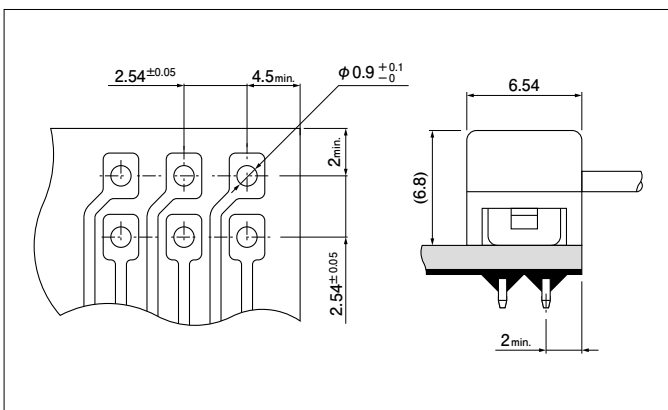
Note: N --- Number of circuits

Flat cables having the following specifications can be used with RC connectors. Contact JST for details.

Conductor	AWG #28 stranded wire Construction: 7/0.127 mm dia. Material: Tin-plated annealed copper wire
	AWG #28 solid wire Construction: 0.32 mm dia. Material: Tin-plated annealed copper wire
Insulator	Soft vinyl chloride

No. of conductors (N)	Dimensional tolerance (mm)	
	P (between conductors at both ends)	W (total width)
10 to 14	±0.18	±0.3
20 to 26	±0.28	±0.3
34 to 50	±0.38	±0.3

PC board layout (viewed from soldering side) and Assembly layout



Note:

1. Tolerances are non-cumulative: ± 0.05 mm for all centers.

2. Hole dimensions differ according to the type of PC board and piercing method. The dimensions shown on the left should serve as a guideline. Contact JST for details.