

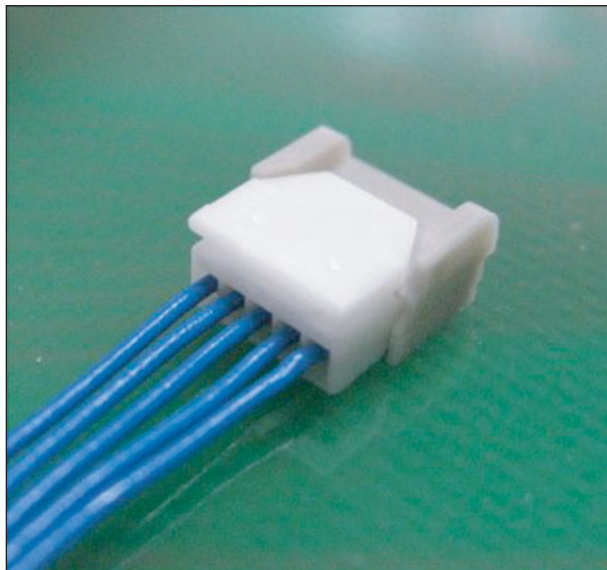
NEW PRODUCT

For W to B connection

SFG CONNECTOR

1.1 mm Pitch

This SFD connector is a wire to board connector for connecting power supply and PCB and withstands high voltage. It is used for power supply of LED backlight in Liquid Crystal Display Television set.



JST

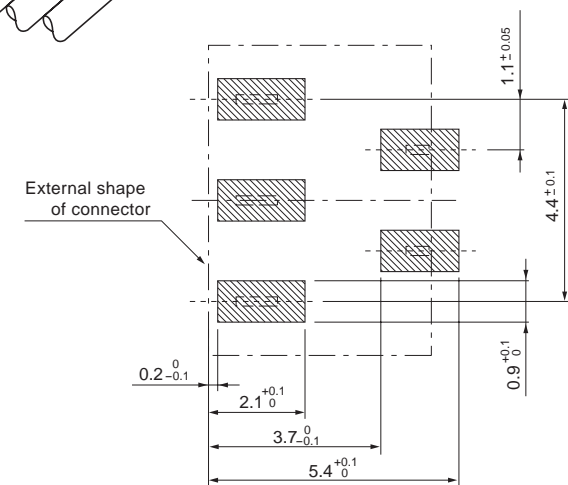
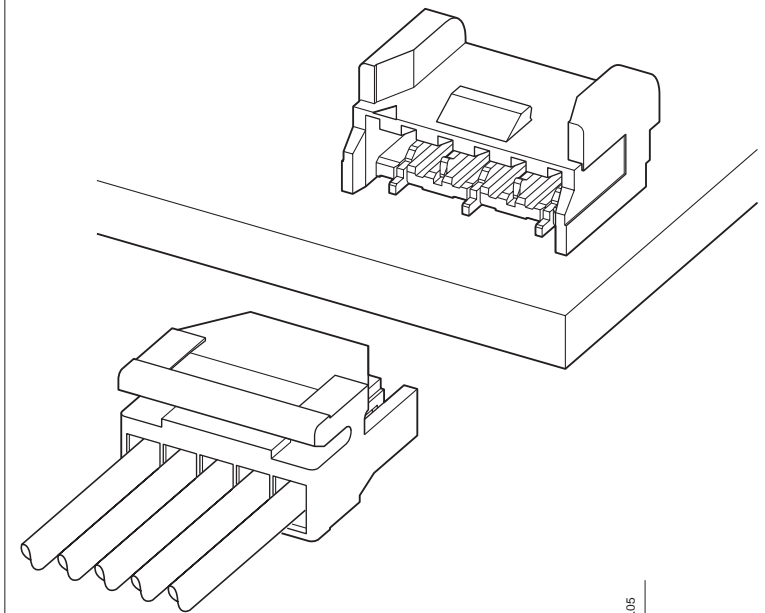


■ Features

- *Withstand high voltage*
- *Secure lock*
- *Halogen free*

■ Specifications

- Current rating : 1.0A AC,DC (AWG#28)
- Voltage rating : 200V AC,DC
- Temperature range : - 25°C to + 85°C
(including temperature rise in applying electrical current)
- Contact resistance : Initial value /20mΩ max.
After environmental testing /40mΩ max.
- Insulation resistance: 100MΩ min.
- Withstanding voltage: AC600V/1minute
- Applicable wire : Wire range /AWG#30 to AWG#28
- No. of Circuits : 5-circuit
- Part number : SSFG-003T-P0.2
: SM05B-SFGH (HF)
: SFGR-05V-S



P.C.B Layout

J.S.T. MFG. CO., LTD.

<http://www.jst-mfg.com>