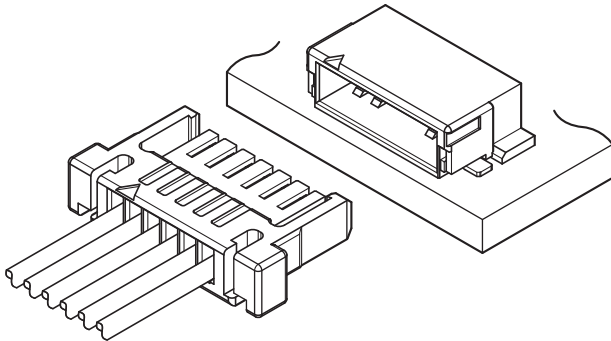


SHJ CONNECTOR

1.0 mm pitch/Wire-to-Board connectors/Crimp style and Mating style



This is a 1.0 mm pitch wire-to-board connector with secure lock mechanism on both sides.

SHJ connector is compact and space-saving design providing high reliability and are suitable for applications such as power supply of LED.

- Low profile design
(Mounting height of the side entry type is 2.65 mm.)
- Secure lock mechanism
- Halogen-free

■ Standards

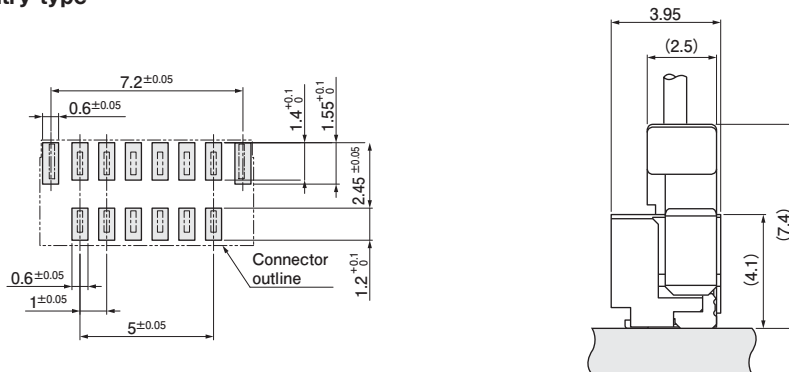
■ :Recognized E 60389

■ Specifications

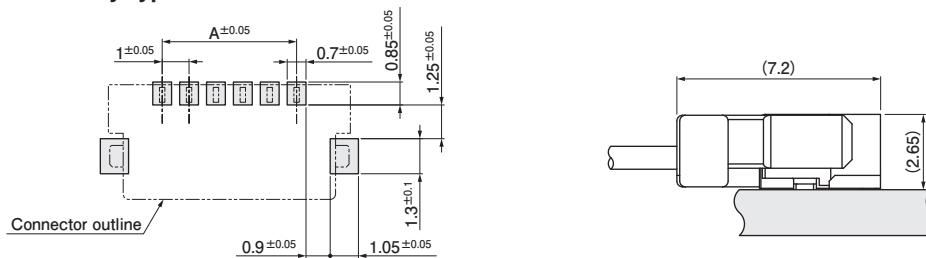
- Current rating: 1.0 A AC/DC (AWG #28)
- Voltage rating: 125 V AC/DC
- Temperature range: -25°C to +85°C
(including temperature rise in applying electrical current)
- Contact resistance:
 - Initial value/ 20 mΩ max.
 - After environmental tests/ 40 mΩ max.
- Insulation resistance: 100 MΩ min.
- Withstanding voltage:
 - There shall be no breakdown or flashover while applying 500 VAC for one minute.
- Applicable wire range:
 - Conductor size/ AWG #32 to AWG #28
 - Insulation O.D. / φ 0.54 mm to φ 0.8 mm
- * In using the products, refer to "Handling Precautions for Terminals and Connectors" described on our website (Technical documents of Product information page).
- * RoHS2 compliance
- * Dimensional unit: mm
- * Contact JST for details.

PC board layout and Assembly layout

Top entry type

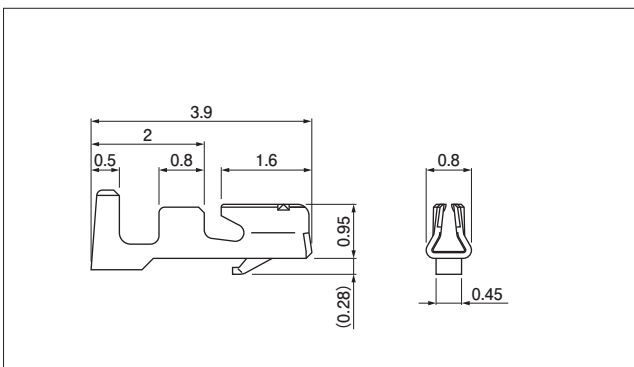


Side entry type



- Note: 1. The figure of PC board layout is the figure viewed from the connector mounting side.
 2. Tolerance for the PCB pattern pitch shall be ± 0.05 , and shall not accumulate more than ± 0.05 .
 3. Dimension A: See "Header/Side entry type" section on page 3.
 4. The above dimensions are reference values. Please contact JST for details.

Socket contact



Model No.	Applicable wire range		Q'ty/ reel
	Conductor size AWG (mm ²)	Insulation O.D. (mm)	
SSHJ-003T-P0.2	#32 to #28 (0.032 to 0.08)	0.54 to 0.8	28,000

Material and Surface finish, etc.
 Phosphor bronze, tin-plated

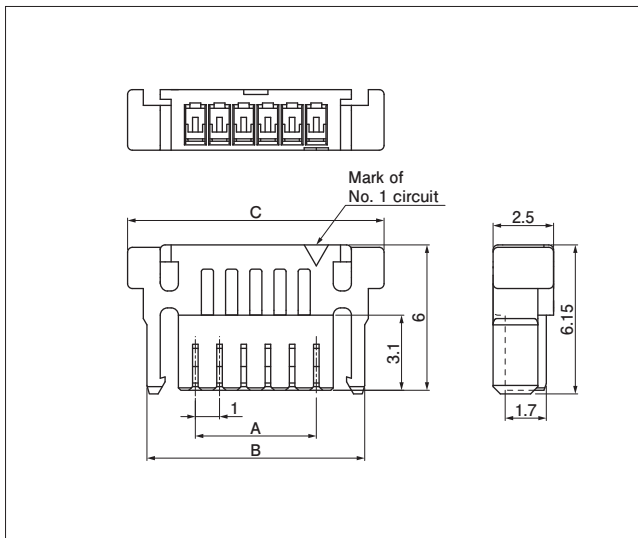
Crimping machine

Contact	Crimping machine	Applicator	Crimp applicator with dies
SSHJ-003T-P0.2	AP-K2N	MKS-L-10-3	APLMK SSH/L003-02

Note: Contact JST for fully automatic crimping applicator.

SHJ CONNECTOR

Socket housing



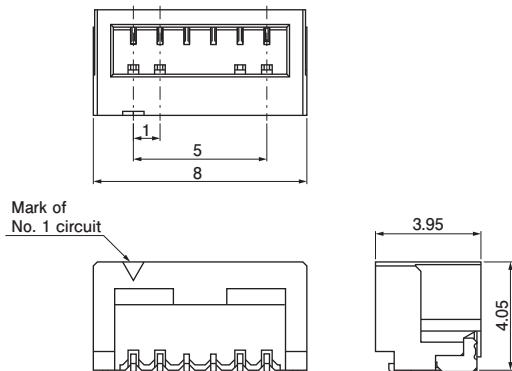
No. of circuits	Model No.	Dimensions (mm)			Q'ty/bag
		A	B	C	
2	SHJP-02V-S (HF)	1	5	6.6	1,000
6	SHJP-06V-S (HF)	5	9	10.6	1,000

Material and Surface finish, etc.

PBT, UL94V-0, natural (white)

Header

Top entry type



Top entry type

No. of circuits	Model No.	Q'ty/reel
6	BM06B-SHJS-TB (HF)	2,500

Material and Surface finish, etc.

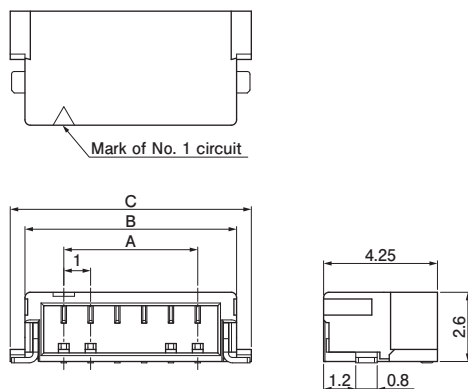
Header contact: Brass, copper-undercoated, tin-plated

Base housing: Modified PA 4T, natural

Reinforcing tab: Brass, copper-undercoated, tin-plated

Note: The product listed above are supplied on embossed-tape.

Side entry type



Side entry type

No. of circuits	Model No.	Dimensions (mm)			Q'ty/reel
		A	B	C	
2	SM02B-SHJH-TF (HF)	1	3.9	5	3,500
6	SM06B-SHJH-TF (HF)	5	7.9	9	3,500

Material and Surface finish, etc.

Header contact: Brass, copper-undercoated, tin-plated

Base housing: PA 6T, gray

Reinforcing tab: Brass, copper-undercoated, tin-plated

Note: The product listed above are supplied on embossed-tape.

Model number allocation

Socket contact

S SHJ - 003 T - P 0.2

Supply form: Strip form	S
Series name	SHJ - 003
Applicable wire range: AWG #32 to AWG #28	T
Surface finish: Tin-plated	P
Material: Phosphor bronze	0.2
Applicable contact size	

Socket housing

SHJ P-06V-S (HF)

Series name	SHJ
Type: Socket	P-06V-S
No. of circuits	
Flammability: UL94V-0	
Color: Natural (White)	
Halogen-free	(HF)

Header/ Top entry type

BM 06 B - SHJ S-TB (HF)

Header type: SMT Top entry type	BM 06 B - SHJ
No. of circuits	
Assembly product	S-TB
Series name	
Color: Natural	
Packaging style: Embossed-taping	
Halogen-free	(HF)

Header/ Side entry type

SM 06 B - SHJ H-TF (HF)

Header type: SMT Side entry type	SM 06 B - SHJ
No. of circuits	
Assembly product	H-TF
Series name	
Color: Gray	
Packaging style: Embossed-taping	
Halogen-free	(HF)